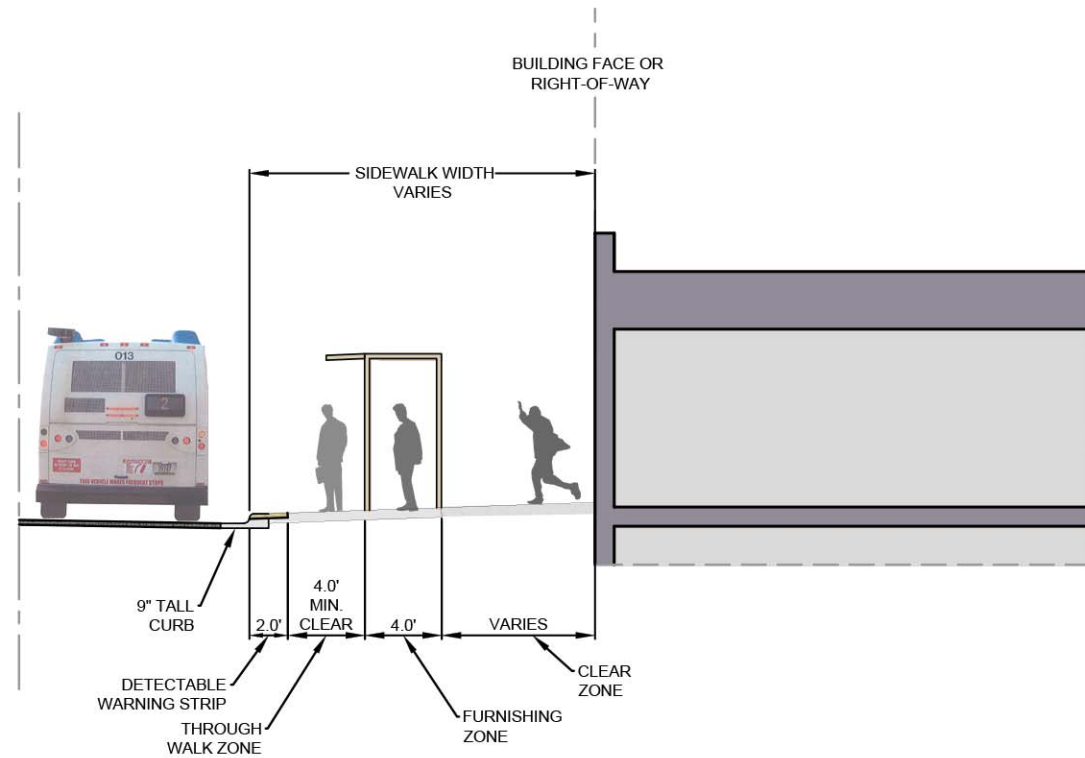
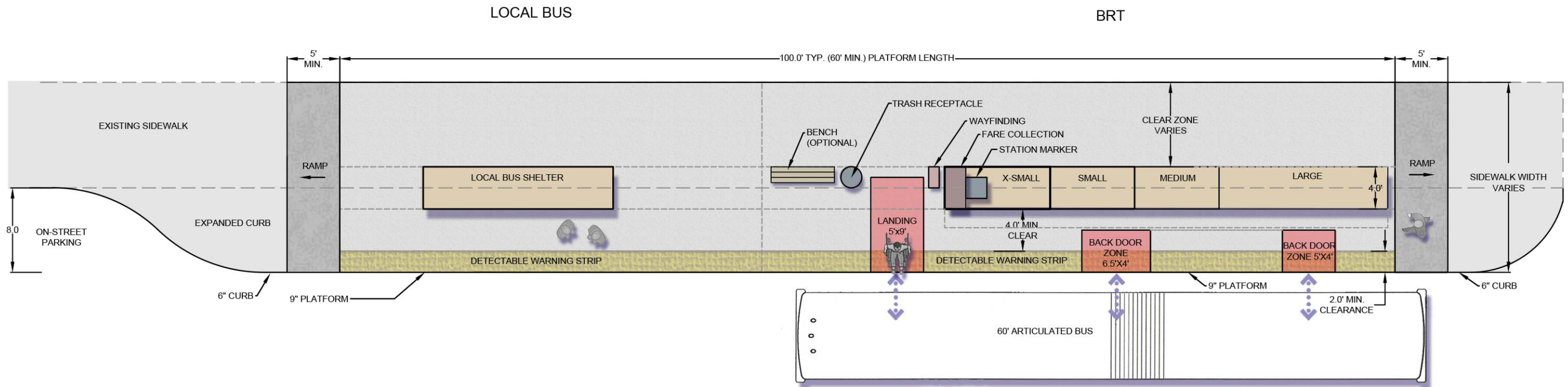








K:\TWC\_Transit\160528015\_MIDTOWN\_AA\CAD\Plan Sheets\Exhibits\LS\_PLATFORM\_LAYOUTS.dwg August 13, 2013 - 6:31pm



FURNISHING OPTIONS:

-  BENCH, 6' SEPARATE FROM SHELTER
-  BIKE RACK
-  FARE COLLECTION, 2' x 4'
-  TRASH RECEPTACLE, 2'Ø
-  STATION MARKER, 2' x 2'
-  WAYFINDING, 2' x 1'

FURNISHING OPTIONS - QUANTITIES

OPTIONS	EXTRA SMALL	SMALL	MEDIUM	LARGE
BENCH (OPTIONAL)	1	1	1-2	1
BIKE RACK		1	1	1
FARE COLLECTION	1	1	1	1
TRASH RECEPTACLE	1	1	1	2
STATION MARKER	1	1	1	1
WAYFINDING	1	1	1	1

No.	Date	Revisions	App.

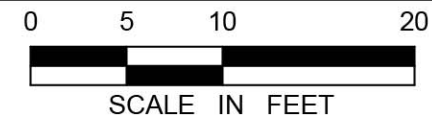
DRAWING NAME  
LS\_PLATFORM\_LAYOUTS.dwg  
DESIGNED BY: ###  
DRAWN BY: ###  
CHECKED BY: #####  
DATE: ###  
PROJECT NO. ----



**Kimley-Horn  
and Associates, Inc.**

2550 UNIVERSITY AVE. WEST, SUITE 238N  
ST. PAUL, MINNESOTA 55114

TEL. NO. (651) 645-4197



**MIDTOWN CORRIDOR  
ALTERNATIVES ANALYSIS**  
BUMPOUT PLATFORM  
STATION LAYOUT

SHEET NO.  
2  
2